

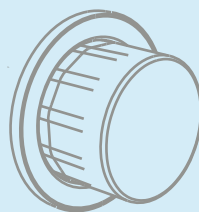


DILO

The new access control, smart lock for furniture and lockers.
A unique and secure technology, the ideal solution in any environment:
public and private.

-  Bluetooth
-  No internet
-  Battery powered
-  Wireless



Compatibility

- Any cabinet, display case or chest of drawers
- Can be opened with iOS or Android devices

Management

- Supported users: unlimited
- From the App and Web App
- Programmable digital keys with customisable access calendar, revocable at any time
- For integrations Mobile SDKs are available for iOS and Android and Open APIs

Inputs, outputs and power supply

- Power supply: 1 CR123A 3V battery
- Average battery life: 2 years
- No wiring required
- Low battery status alarms

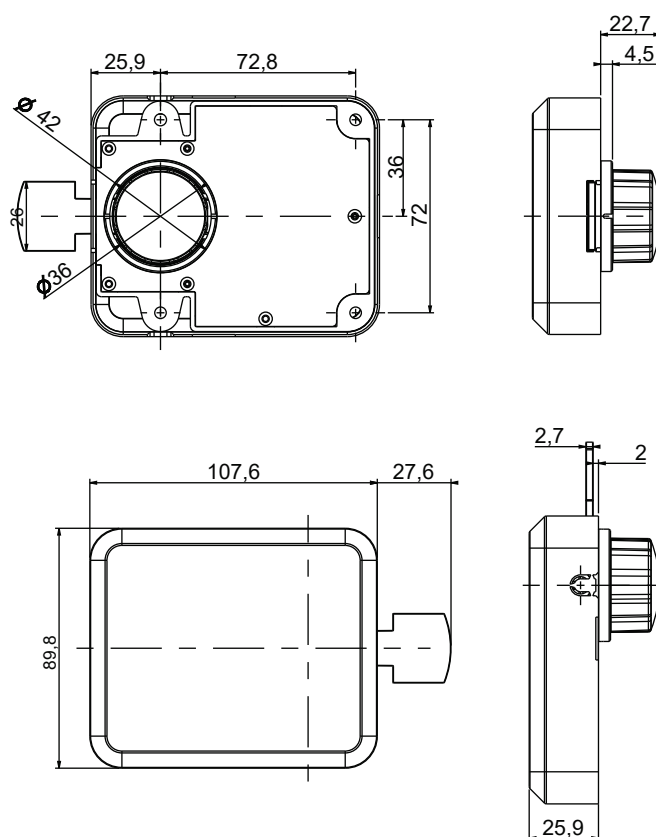
Technology and security

- Connection Bluetooth Low Energy 4.0 or higher
- SHA-256 data encryption
- No internet connection required

Features

- Installable on metal - glass - HPL - wood with specific accessories (from 1,5mm to 20mm thickness)
- Plastic front and back cover (customizable with laser logo)
- Operating temperature: -20° to +60°C
- Flat or bent metal bolt (5mm) and metal catch
- Works with rotating bars:
3 points closure system with bolt and rotating bars
multi-drawers locking systems

Dimensions



Power supply



1 CR123A 3V battery



App e Web App

MERONI
TECHNOLOGY

serraturemeroni.it
meroni@serme.it

Download the App Sclack

